

PRODUCT INFORMATION PACKET

Model No: 5KH39QN9508Y

Catalog No: HG646

1/3 HP Auger Drive Motor, 1 phase, 1800 RPM, 115/230 V, 48NY Frame, TENV
Auger Drive Motors



Regal and Marathon are trademarks of Regal Beloit Corporation or one of its affiliated companies.
©2020 Regal Beloit Corporation, All Rights Reserved. MC017097E

REGAL



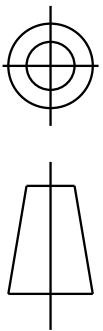
Nameplate Specifications

Output HP	0.33 Hp	Output KW	0.25 kW
Frequency	60 Hz	Voltage	115/230 V
Current	5.3,2.7 A	Speed	1725 rpm
Service Factor	1	Phase	1
Efficiency	68 %	Power Factor	0
Duty	Continuous	Insulation Class	B
KVA Code	R	Frame	48NY
Enclosure	Totally Enclosed Non Ventilated	Thermal Protection	MAN
Ambient Temperature	40 °C	Drive End Bearing Size	6203
Opp Drive End Bearing Size	6203	UL	Recognized
CSA	Yes	CE	N

Technical Specifications

Electrical Type	Split Phase	Starting Method	SM
Poles	4	Rotation	Counterclockwise/Clockwise
Mounting	Round	Motor Orientation	ANY
Drive End Bearing	BALL	Opp Drive End Bearing	Ball
Frame Material	Rolled Steel	Overall Length	11.07 in
Frame Length	7.22 in	Shaft Diameter	0.500 in
Shaft Extension	1.84 in		
Outline Drawing	52A106920P1	Connection Drawing	52A105383AA

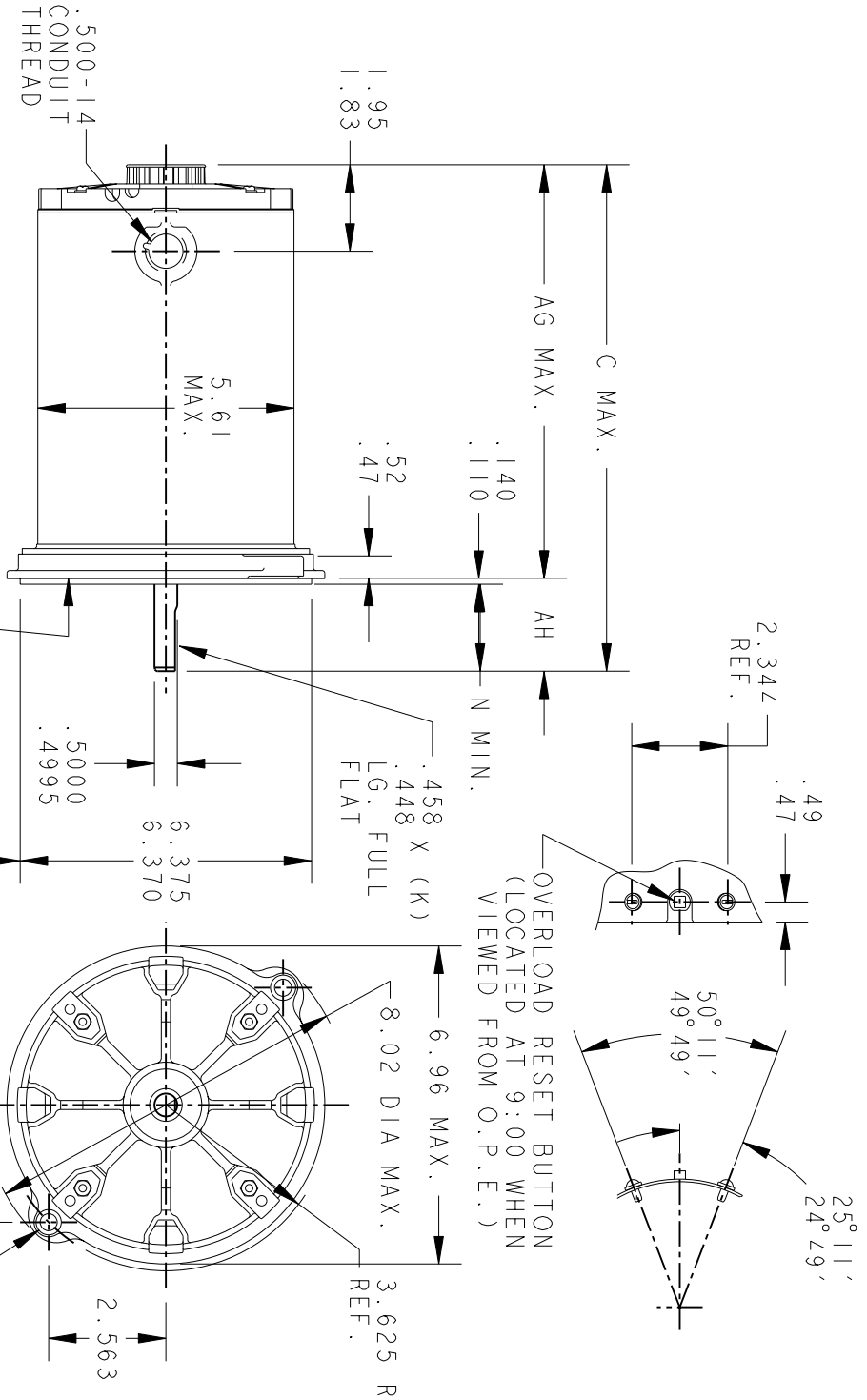
This is an uncontrolled document once printed or downloaded and is subject to change without notice. Date Created:03/11/2020



REV.	DESCRIPTION	DATE	APPROVED
7	UPDATED PE END SHIELD PER T198-23554	06/05/98	M.D. PAPE
8	CHANGES PER T198-24008A	08/18/98	M.D. PAPE
9	.49/.47 WAS .45/.43 T198-24.130.	10/08/98	M.D. PAPE
10	CHG. MADE AS PER IS05-2714	10/26/05	GOVARDAN

52A106920 10

REV SHEET
DRAWING NO.
SIZE A



ECCENTRICITY OF THIS SURFACE (WITH INDICATOR MOUNTED STATIONARY RELATIVE TO SHAFT) MUST NOT EXCEED .006 T.I.R.

.380 DIA. (2 HOLES)
.365
THESE HOLES FIT A GAGE HAVING A RABBIT 6.3775 DIA. AND 2 PINS .3309 DIA. LOCATED ON THE BASIC HOLE POSITIONS.

P	TYPE	GE SIZE	NEMA FR	AG	AH	N	K	
2	KH	36	48N	10.07	8.05	2.09/1.97	1.84	1.31
1	KH	38	48N	11.07	9.05	2.09/1.97	1.84	1.31



REGAL-BELOLT CORPORATION

SIGNATURES		DATE
MODEL	M.A.M	02/27/89
DETAIL		
CHECKED		
ENGRG		
MFG		
QUALITY		
ISSUED	C.C.P	03/04/95
SOLID MODEL:	52A106920	

REGAL-BELOLT CORPORATION

OUTLINE

FORM N - SPECIAL PURPOSE MOTOR - TWO LUG FLANGE MOUNTED - SLEEVE OR BALL BEARING

SCALE: 1.000 REF. No.: .

SIZE DRAWING A

REV 10

52A106920

SHEET 1 of 1

EITHER ROTATION, DUAL VOLTAGE, TYPE KC OR KH, WITH THERMAL PROTECTION



NOTE #1 - START CAP & J9 WHEN SPECIFIED (*). IF NO CAPACITOR (KH), CONNECT T5 DIRECTLY TO SWITCH (A). WHEN MORE THAN ONE CAPACITOR IS USED, CONNECT IN PARALLEL.

NOTE #2 - TO REVERSE ROTATION, INTER CHANGE RD(T8) AND BLK(J9-KC OR T5-KH) LEADS.

SWITCH REF. - 115D958AB	CONNECTION LABEL	CCW ROTATION: NP52X332051AA
		CW ROTATION: NP52X332051AC

NO.	REVISION	BY & DATE	CHK	TOLERANCES UNLESS SPECIFIED		FINISH	DRAWN M.D.P 06/29/87		
				DEC.	INCHES				
				.X	±0.1	REGAL-BELOIT CORPORATION TITLE CONNECTION DIAGRAM 30 FRAME SWITCH REDESIGN	CHK		
				.XX	±0.02		SCALE 1=1		
5	ADDED CONNECTION LABEL PER ECO-0030779	UD 02/06/13	PKG	.XXX	±0.005	MAT'L.	APPD M.D.P 03/26/96		
4	UPDATED PER ISO7-0150	MD 01/23/07		.XXXX	±0.0005		REF		
				ANG	±1.0	PREV			
THIS DRAWING IN DESIGN AND DETAIL IS OUR PROPERTY AND MUST NOT BE USED EXCEPT IN CONNECTION WITH OUR WORK. ALL RIGHTS OF DESIGN AND INVENTION ARE RESERVED. THIS IS AN ELECTRONICALLY GENERATED DOCUMENT - DO NOT SCALE THIS PRINT				RFP	CAD FILE	52A105383AA	SIZE	DRAWING NO.	REV.
				DIST			A	52A105383AA	5